

NEXT Unit Chair

Bringing the digital revolution to the heart of your dental practice
by using the latest technology
to provide patient comfort, effective communication, professional convenience & quality service

Digital art of unit chair_ [NEXT](#)



WELL MADE UNIT CHAIR

SATISFACTION EVALUATION OF 'NEXT' CHAIR in South Korea

Won great satisfaction for 4 section



What do you know what you need to consider when you purchase the chair?

- Can a large monitor be installed with chair for your consultation?
- Does your chair bring enough conformity with its cushion?
- Is your chair proven with no recurrent breakdown?
- Does it need a lot of maintenance?

1220 unit chair delivered for 3 years.
Almost no breakdown,
No return



NEXT Unit Chair



Premium High Quality

Durability proven in industry for more than 19 years
Quality test of over 20,000 times
Use of High Quality Parts



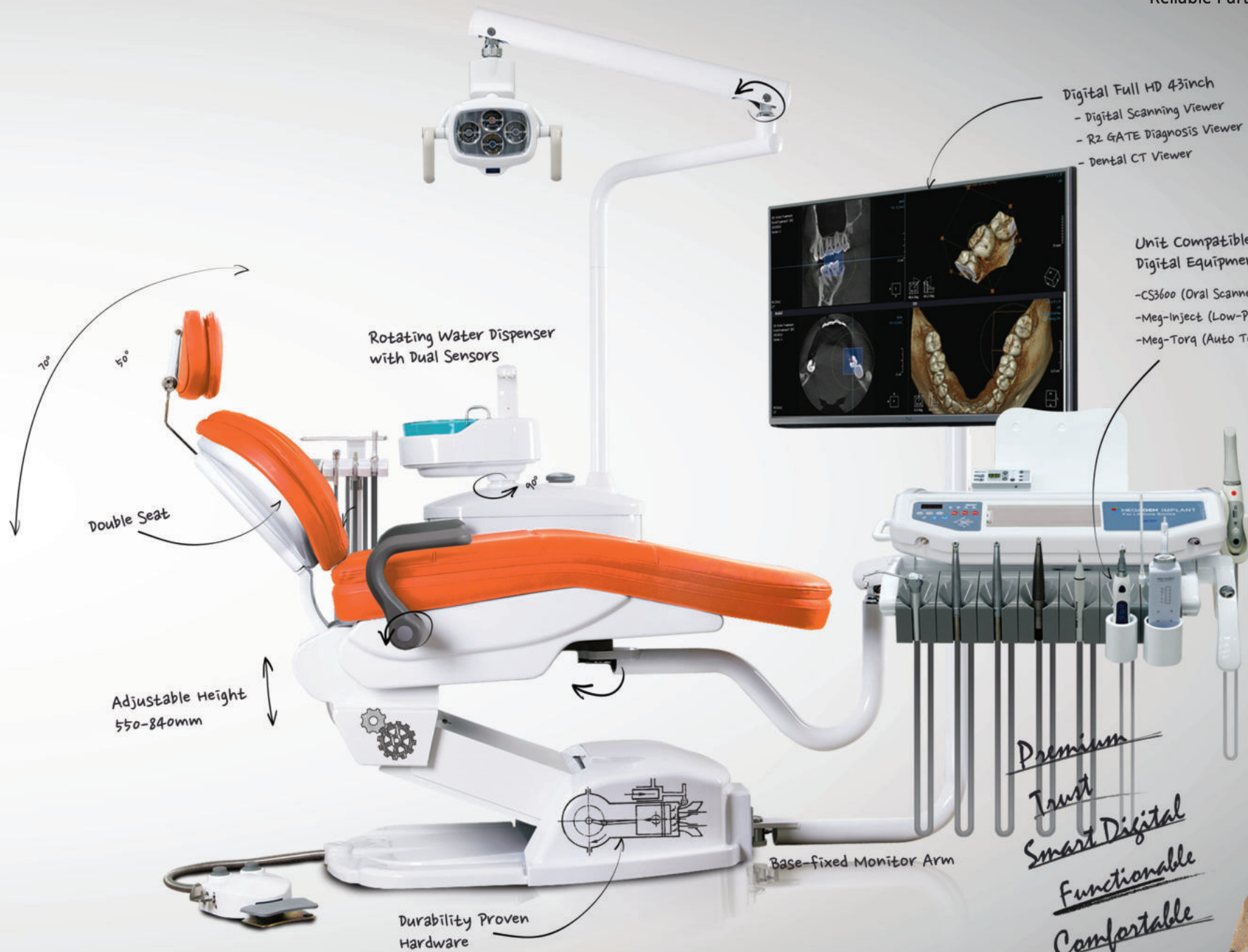
Smart Digital

Enable 43-inch HD Monitor installation
Accommodating Scan Data, Digital equipment
(Oral scanners, Electrical anesthesia, Electric torque drivers, etc.)



Guarantee Program

'One year' Free Part Exchange Service after Exportation
To solve all possible problems within 12 hours,
Megagen establishes technician education program in HQ



Digital Full HD 43inch
- Digital Scanning Viewer
- RZ GATE Diagnosis Viewer
- Dental CT Viewer

Unit Compatible with Digital Equipment.
-CS3600 (Oral Scanner)
-Meg-Inject (Low-Pain Anesthetic Device)
-Meg-Torq (Auto Torq Driver)

Rotating Water Dispenser with Dual Sensors

Double Seat

Adjustable Height 550-840mm

Base-fixed Monitor Arm

Durability Proven Hardware

*Premium
Trust
Smart Digital
Functional
Comfortable
Satisfactory*

MEGAGEN

Smart Digital

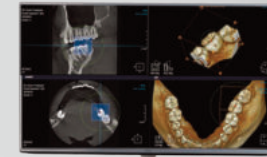
Advance your digital clinic with the installation of the **NEXT** dental chair.

The NEXT dental chair creates a digital hub for utilizing the latest digital technology.

The LG 43" widescreen monitor is a key addition for both the clinician and the patient, allowing easy & immediate viewing of patient records (intraoral & CBCT scans) and more effective communication of diagnosis & treatment planning (R2GATE digital treatment planning software).



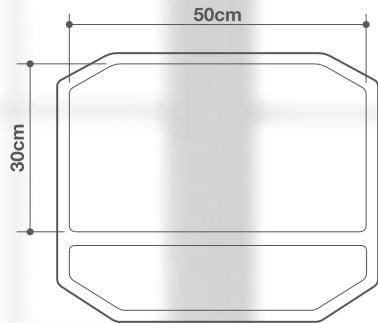
R2GATE Diagnosis Viewer



Dental CT Viewer

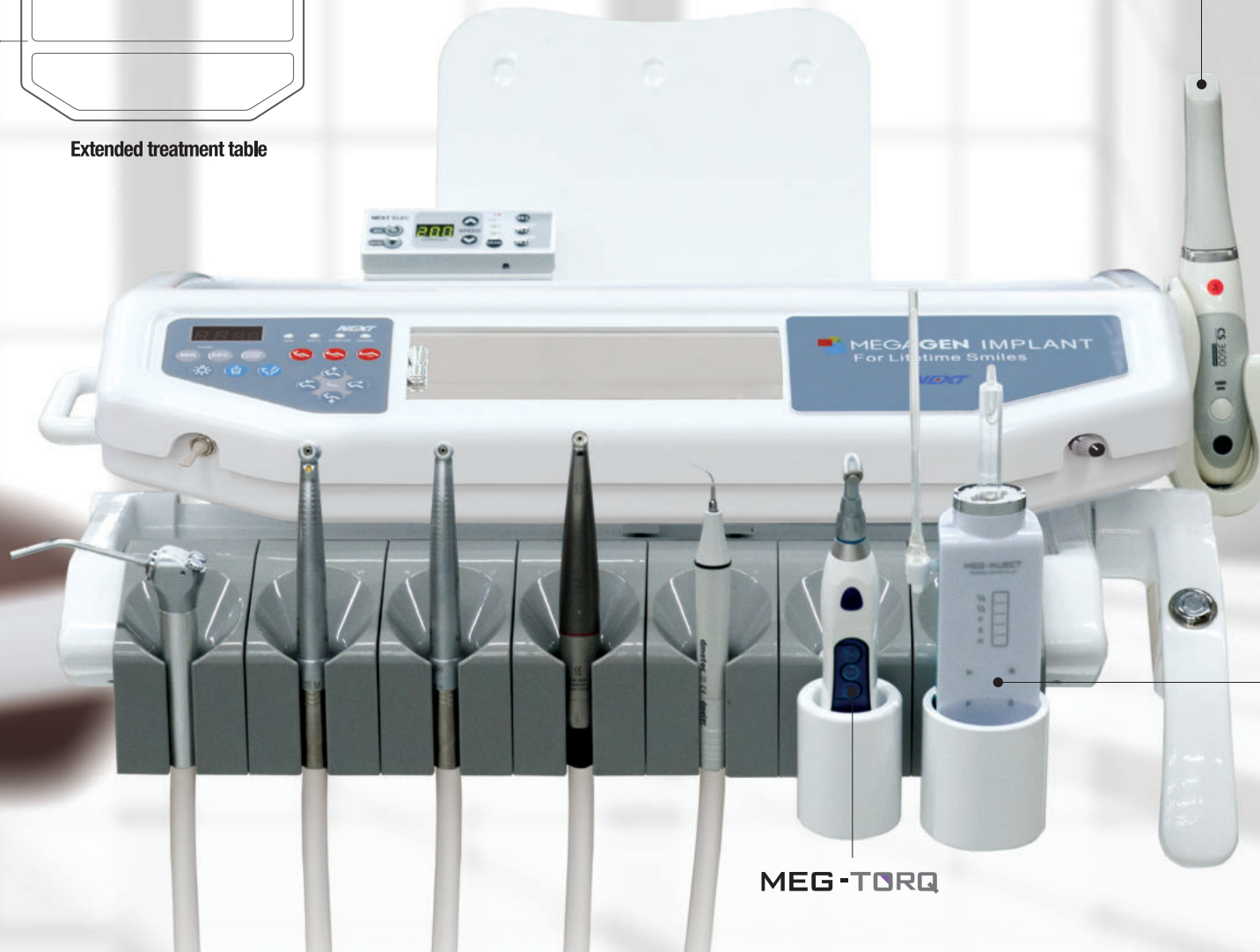


Base-fixed monitor arm :
ensures stability
Adjustable viewing angles :
monitor 30° rotation
arm 60° rotation



Extended treatment table

Carestream **CS 3600**
DENTAL



MEG-INJECT

MEG-TORQ

Functional & Comfortable

The NEXT dental chair is designed around maximum operational efficiency for the clinician and maximum comfort for the patient.

“

This means providing an efficient and well-designed working environment for the dentist and clinical staff, while allowing the patient to relax and feel secure during their treatment.

”



Satisfactory

To become the best dental clinic, you provide the best dental treatment. Similarly, to provide the best dental chair, we also provide the best after-service.

Guarantee Program

Megagen implant is not selling any products without responsibility.



Warranty

This warranty is only applied to the customer who purchases implant chair package.



Specification

Operatory Package

Classification	Product	Component	Specification		
			Megagen Next	Other brand (Basic)	Other Brand (Option)
❶ Basic Chair	Seat	Dual Seat	●		○
	Light	LED Light	●		○
	Stool	Stool	●	○	
	Accessories	3 component set	●	○	
❷ Monitor	Monitor Set	Monitor arm + 43" monitor	●		○
❸ Hand piece	High Speed H/P 1	TG-98L / RQ-24 (optic)	●	○	○
	High Speed H/P 2		●		○
	Low-speed set	W&H set	●	○	○
	Scaler	DMETEC	●	○	○



Accessories

90° swivel spittoon with dual sensors, detachable for easy cleaning

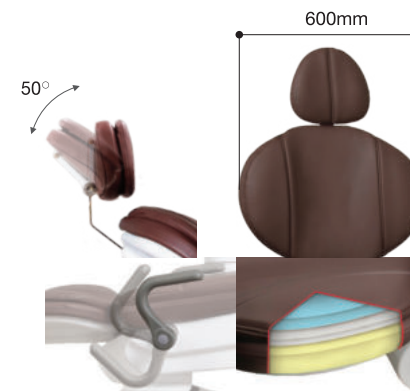


LED Lights

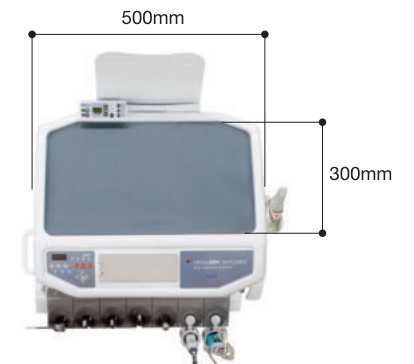
- White LEDs: 4-stage adjustable



Double cushion seat



Swing-mount hand piece delivery unit

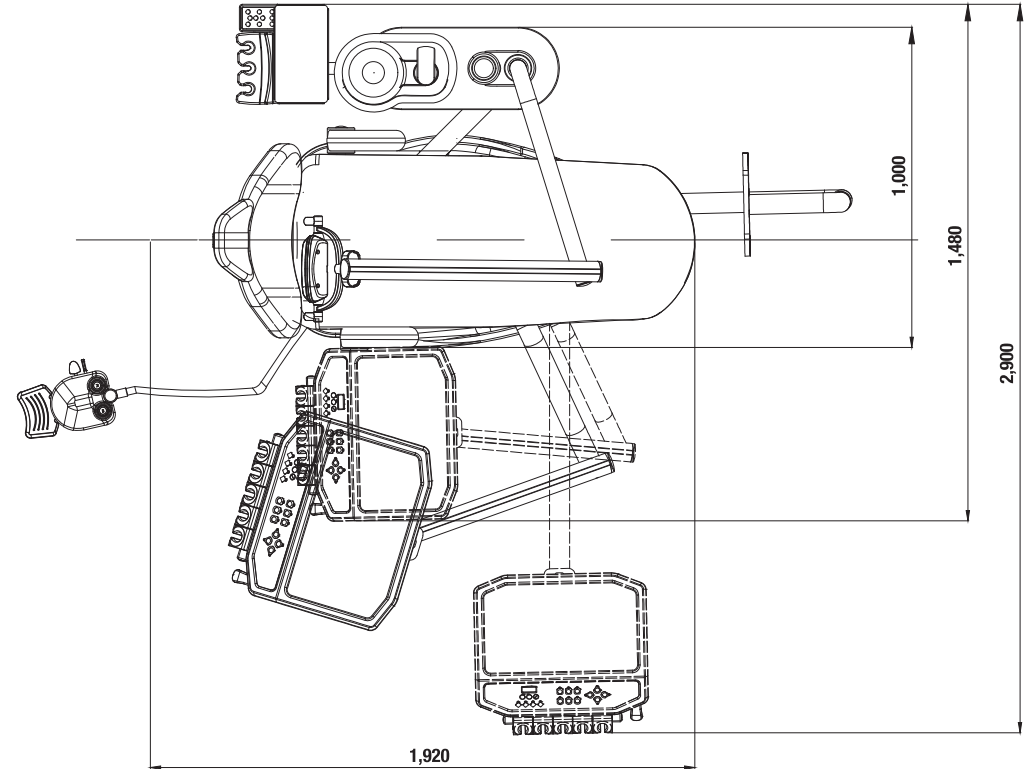
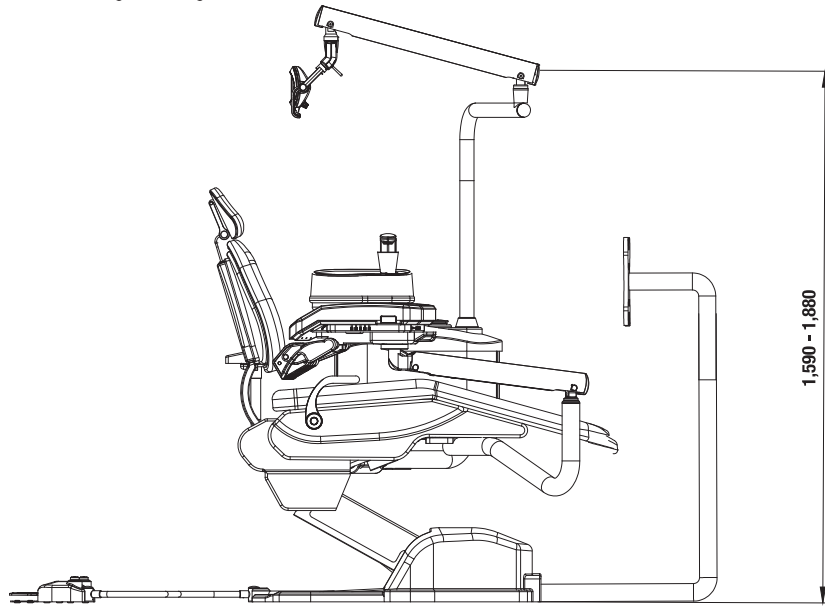


Foot switch for controlling handpieces



Technical Data & Dimension

Unit : mm
Weight : 250kg



Color option



Reliable Partner **NEXT** Unit Chair

Ultimate patient comfort with adjustable dual seat & wider space

43" HD widescreen monitor for easy access to digital records & effective patient communication

Ergonomically designed professional workspace for more efficient & speedy treatment

Durable & robust components for long-lasting service

Guaranteed excellent AFTER SERVICE for peace of mind

Reliable Partner

NEXT Unit Chair

Premium & Trustworthy
Smart Digital
Functional & Comfortable
Satisfaction



Head Office & Factory
Gangnam Office

45, Secheon-ro 7-gil, Dasa-eup, Dalseong-gun, Daegu, Korea
MegaGen Tower, 607, Seolleung-ro, Gangnam-gu, Seoul, Korea

T. +82-1544-2285
T. +82-1566-2338